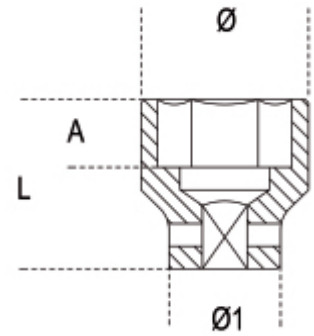




UNI/ISO 2725

g



art.	Ø mm	Ø mm	L mm	Ø1 mm	A mm	g	
007200010	720	10	17,0	38	25	7,0	85
007200011	720	11	18,5	38	25	8,0	86
007200012	720	12	20,0	38	25	9,0	85
007200013	720	13	21,0	38	25	10,0	84,6
007200014	720	14	22,5	38	25	10,0	88
007200015	720	15	23,0	38	30	11,0	128,9
007200016	720	16	25,0	38	30	11,0	131
007200017	720	17	26,0	38	30	12,0	128
007200018	720	18	27,5	38	30	13,0	129,6
007200019	720	19	28,5	38	30	13,0	123,7
007200021	720	21	31,0	38	30	14,0	122,7
007200022	720	22	32,5	38	30	14,0	133,6
007200023	720	23	34,0	38	30	14,0	134,3
007200024	720	24	35,0	38	30	14,0	137
007200027	720	27	38,5	45	30	16,0	169
007200030	720	30	42,0	50	30	17,0	194,4
007200032	720	32	44,0	50	30	18,0	227
007200036	720	36	50,0	50	30	18,0	275,8